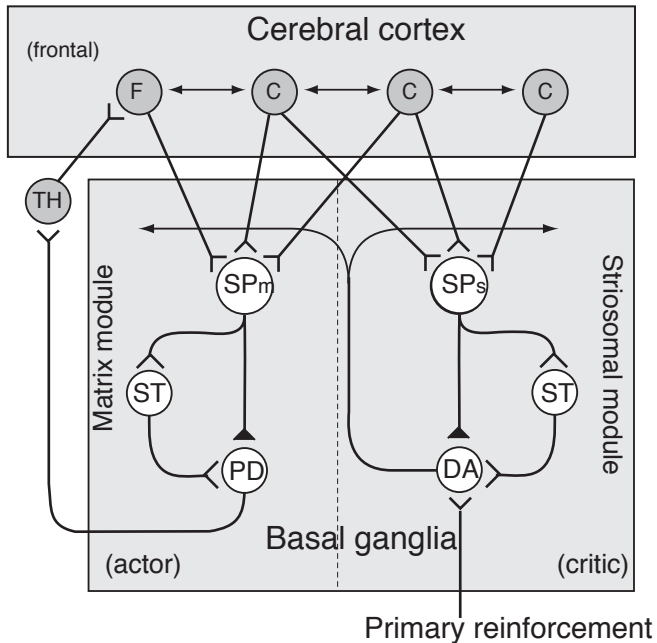
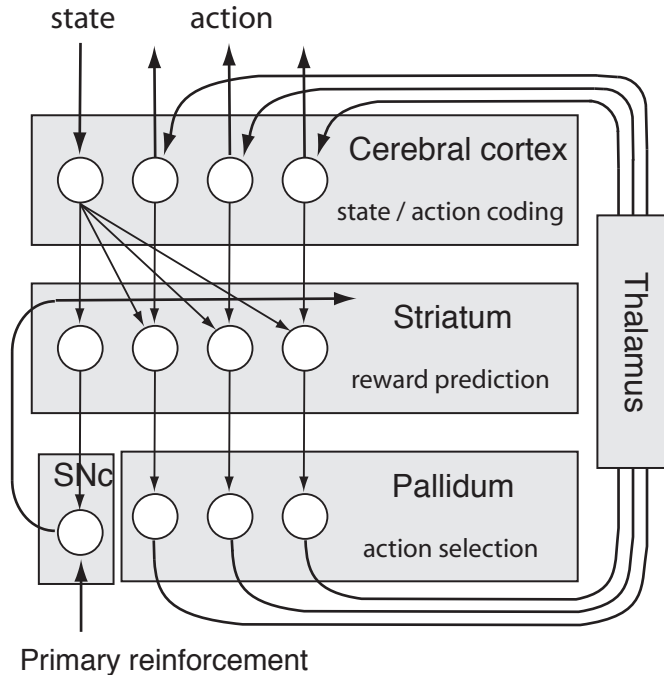


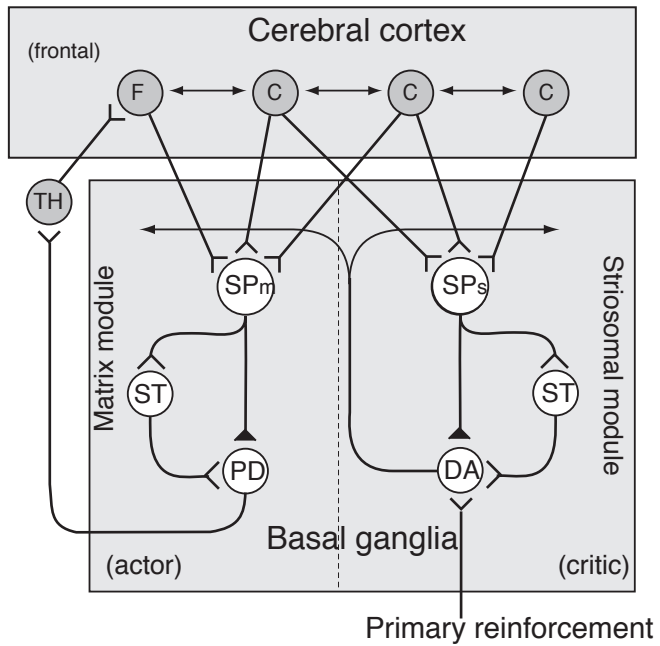
## B. Actor-critic model of BG



## D. Q-learning model of BG



## B. Actor-critic model of BG



## D. Q-learning model of BG

