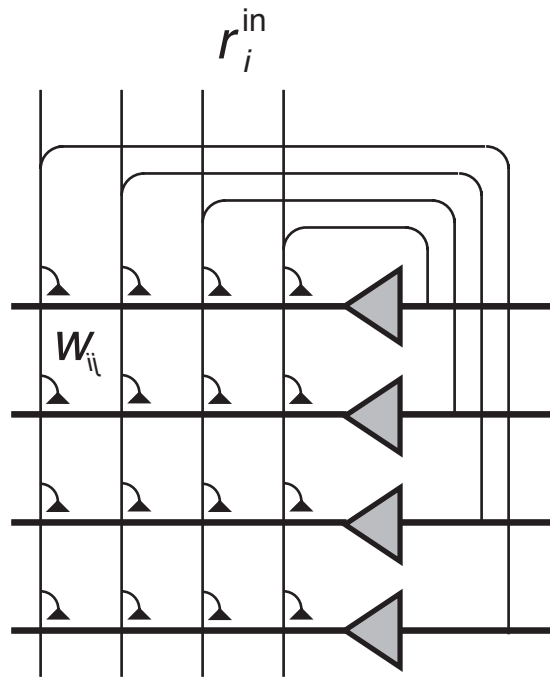


A. Recurrent associator network



B. Schematic diagram of the Hippocampus

