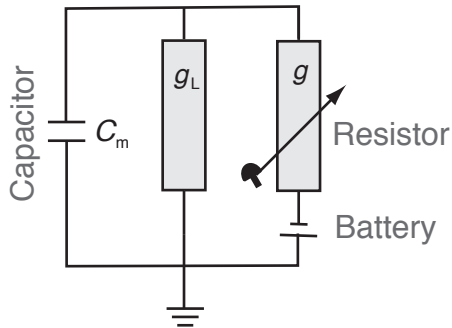


A. Electric circuit of basic synapse



B. Time course of variables

